

# DUAL POLARISATION SWITCH TWIN LNB MULTIPLEX CONTROLLER

ISSUE 1- JANUARY 2001

**ZLNB101**

---

## DEVICE DESCRIPTION

The ZLNB101 dual polarisation switch controller is one of a wide range of satellite receiver LNB support circuits. It features two completely independent channels, each providing two logic outputs under the control of a voltage sensitive input. It is intended for use in Twin LNB designs, replacing many discrete components to save both manufacturing cost and PCB size whilst improving reliability.

The two inputs of the ZLNB101 have a nominal threshold of 14.5V. Their threshold is temperature compensated to minimise drift. Each features a low and stable input current that enables transient protection to be achieved with the addition of only a single resistor per channel.

Normal and an inverted outputs are provided for each input. All outputs can source 15mA and sink 10mA making them suitable to drive TTL and CMOS logic, pin diodes and for IF-amp supply switching.

The ZLNB101 operates from a single supply of between 5-12V. Its quiescent current is typically only 4mA and this does not change significantly with load or logic state. It is available in either the standard SO8 or space saving MSOP8 surface mount packages. Device operating temperature is -40°C to +85°C to suit a wide range of environmental conditions.

---

## FEATURES

- provides polarity detection and control
- transient resistant
- low input current
- low supply current
- temperature compensated input threshold
- standard and inverted output available simultaneously wide supply operating range
- dual polarisation switch
- eliminates external components
- simplifies design

## APPLICATIONS

- twin LNBs
- IF switch box
- LNB switch boxes

# ZLNB101

## ABSOLUTE MAXIMUM RATINGS

Supply Voltage	-0.6V to 15V
Supply Current	50mA
V <sub>POL1</sub> and V <sub>POL2</sub>	
Input Voltage	25V Continuous
Operating Temperature	-40 to 85°C
Storage Temperature	-40 to 85°

## Power Dissipation (T<sub>amb</sub>= 25°C)

SO8	500mW
MSOP8	500mW

## ELECTRICAL CHARACTERISTICS TEST CONDITIONS (Unless otherwise stated):

T<sub>amb</sub>= 25°C, V<sub>CC</sub>=5V, I<sub>D</sub>=10mA (R<sub>CAL1</sub>=33kΩ)

SYMBOL	PARAMETER	CONDITIONS	LIMITS			UNITS
			Min	Typ	Max	
V <sub>CC</sub>	Supply Voltage		5		12	V
I <sub>CC</sub>	Supply Current	All inputs and outputs open circuit I <sub>VERT1</sub> = I <sub>VERT2</sub> = 10mA, V <sub>POL1</sub> = V <sub>POL2</sub> = 14V I <sub>HOR1</sub> = I <sub>HOR2</sub> = 10mA, V <sub>POL1</sub> = V <sub>POL2</sub> = 15.0V			10	mA
I <sub>POL</sub>	V <sub>POL1</sub> and V <sub>POL2</sub> Inputs Current	V <sub>POL1</sub> = V <sub>POL2</sub> = 25V (Note 4)	10	20	40	μA
V <sub>TPOL</sub>	Threshold Voltage	(Note 1) (Note 4)	14.0	14.5	15.0	
T <sub>SPOL</sub>	Switching Speed				100	μs
V <sub>VHIGH</sub>	Vert 1/2 Outputs Voltage High	I <sub>VERT1</sub> =I <sub>VERT2</sub> =10mA, V <sub>POL1</sub> = V <sub>POL2</sub> = 14V	V <sub>CC</sub> -1.0	V <sub>CC</sub> -0.8	V <sub>CC</sub>	V
V <sub>VHIGH</sub>	Voltage High	I <sub>VERT1</sub> =I <sub>VERT2</sub> =15mA, V <sub>POL1</sub> = V <sub>POL2</sub> = 14V	V <sub>CC</sub> -1.2	V <sub>CC</sub> -0.9	V <sub>CC</sub>	V
V <sub>VHIGH</sub>	Voltage High	I <sub>VERT1</sub> =I <sub>VERT2</sub> =10μA, V <sub>POL1</sub> = V <sub>POL2</sub> = 14V	V <sub>CC</sub> -0.2	V <sub>CC</sub> -0.1	V <sub>CC</sub>	V
V <sub>VLOW</sub>	Voltage Low	I <sub>VERT1</sub> =I <sub>VERT2</sub> =-10mA, V <sub>POL1</sub> = V <sub>POL2</sub> = 15.0V	0	0.25	0.5	V
V <sub>VHIGH</sub>	Hor 1/2 Outputs Voltage High	I <sub>HOR1</sub> =I <sub>HOR2</sub> =10mA, V <sub>POL1</sub> = V <sub>POL2</sub> = 15.0V	V <sub>CC</sub> -1.0	V <sub>CC</sub> -0.8	V <sub>CC</sub>	V
V <sub>VHIGH</sub>	Voltage High	I <sub>HOR1</sub> =I <sub>HOR2</sub> =15mA, V <sub>POL1</sub> = V <sub>POL2</sub> = 15.0V	V <sub>CC</sub> -1.2	V <sub>CC</sub> -0.9	V <sub>CC</sub>	V
V <sub>VHIGH</sub>	Voltage High	I <sub>HOR1</sub> =I <sub>HOR2</sub> =10μA, V <sub>POL1</sub> = V <sub>POL2</sub> = 15.0V	V <sub>CC</sub> -0.2	V <sub>CC</sub> -0.1	V <sub>CC</sub>	V
V <sub>VLOW</sub>	Voltage Low	I <sub>HOR1</sub> =I <sub>HOR2</sub> =-10mA, V <sub>POL1</sub> = V <sub>POL2</sub> = 14V	0	0.25	0.5	V

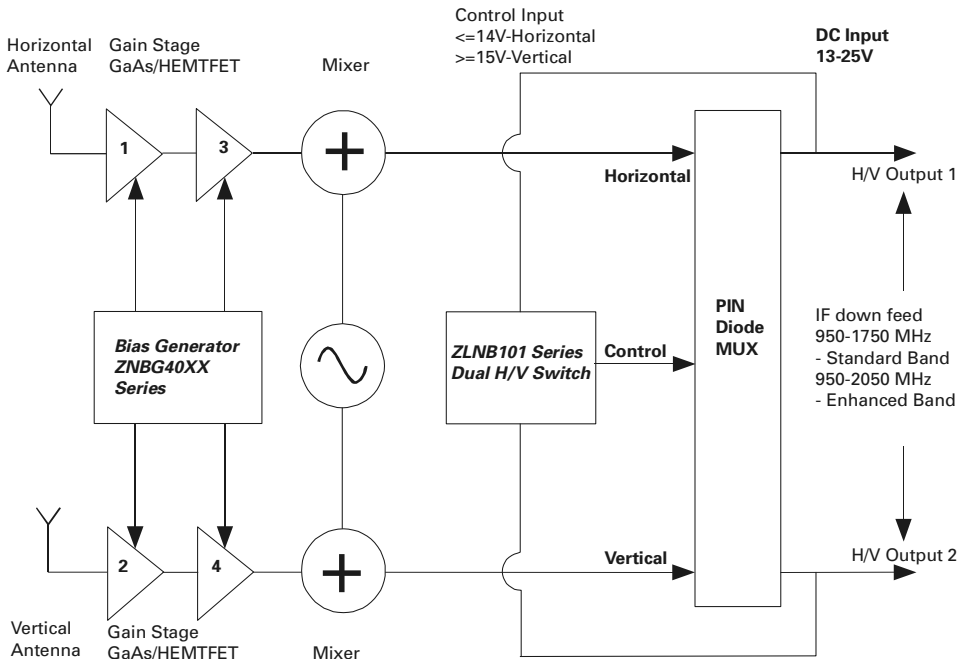


# ZLNB101

Note:-

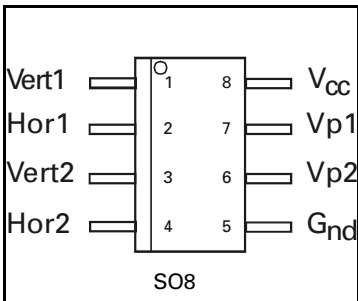
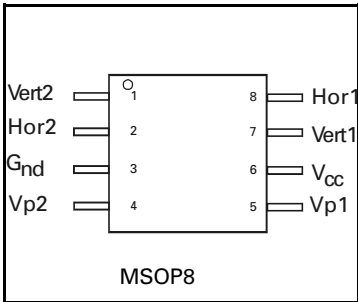
- 1)  $V_{POL1}$  and  $V_{POL2}$  switching thresholds apply over the whole operating temperature range specified above.
- 2) Inputs  $V_{POL1}$  and  $V_{POL2}$  are designed to be wired to the power input of an LNB via high value (10k) resistors. Input  $V_{POL1}$  controls outputs Vert1 and Hor1. Input  $V_{POL2}$  controls outputs Vert2 and Hor2. With either input voltage set at or below 14V, the corresponding Vert pin will be high and Hor pin low. With either input voltage at or above 15.0V, the corresponding Vert pin will be low and Hor pin high. Any input or output not required may be left open-circuit.
- 3) All outputs are designed to be compatible with TTL, CMOS, pin diode and IF Amp loads.
- 4) Applied via 10k resistors

The following block diagram shows a typical block diagram twin LNB design. The ZLNB101 provides the two polarity switches required to decode the two independent receiver feeds. Additionally the front end bias requirements of the LNB are provided by the ZNBG4000 or ZNBG6000 offering a very efficient and cost effective solution.



# ZLNB101

## CONNECTION DIAGRAMS



## ORDERING INFORMATION

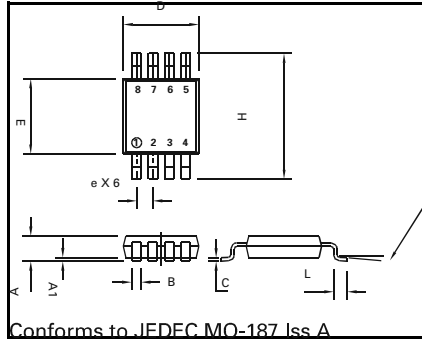
Part Number	Package	Part Mark
ZLNB101X8	MSOP8	ZLNB101
ZLNB101N8	SO8	ZLNB101

# ZLNB101

## PACKAGE DIMENSIONS

### MSOP8

DIM	Millimetres		Inches	
	MIN	MAX	MIN	MAX
A	0.91	1.11	0.036	0.044
A1	0.10	0.20	0.004	0.008
B	0.25	0.36	0.010	0.014
C	0.13	0.18	0.005	0.007
D	2.95	3.05	0.116	0.120
e	0.65	NOM	0.0256	NOM
e1	0.33	NOM	0.0128	NOM
E	2.95	3.05	0.116	0.120
H	4.78	5.03	0.188	0.198
L	0.41	0.66	0.016	0.026
$\theta^\circ$	0°	6°	0°	6°



### SO8

DIM	Millimetres		Inches	
	Min	Max	Min	Max
A	4.80	4.98	0.189	0.196
B	1.27 BSC		0.05 BSC	
C	0.53 REF		0.02 REF	
D	0.36	0.46	0.014	0.018
E	3.81	3.99	0.15	0.157
F	1.35	1.75	0.05	0.07
G	0.10	0.25	0.004	0.010
J	5.80	6.20	0.23	0.24
K	0°	8°	0°	8°
L	0.41	1.27	0.016	0.050

